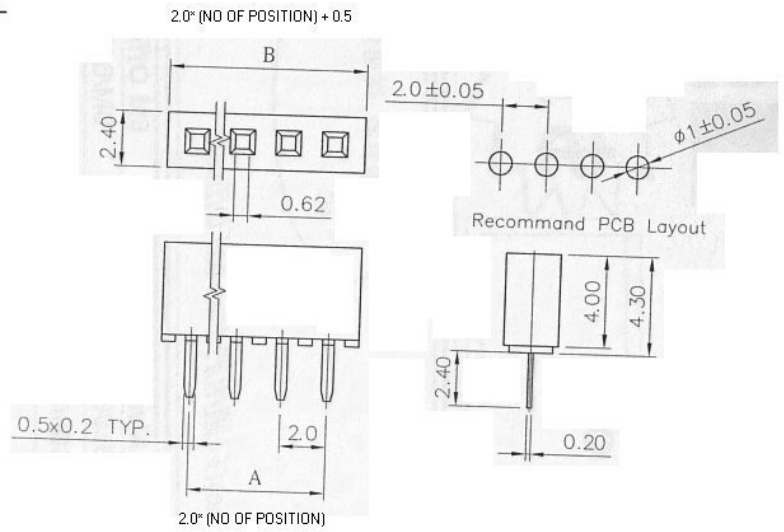
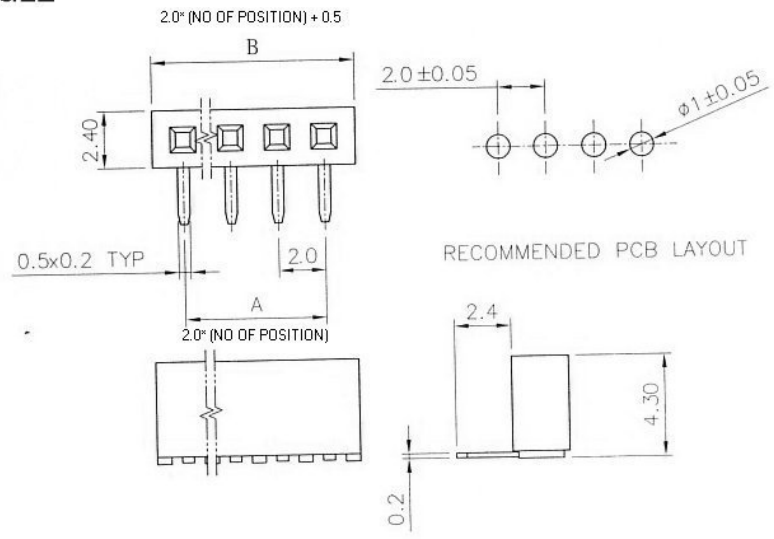


**SINGLE ROW
STRAIGHT
PS 1700S-**



**SINGLE ROW
RIGHT ANGLE
PS 1700R-**



SPECIFICATIONS:

CURRENT RATING: 1A AC/DC
 WITHSTANDING VOLTAGE: 500V AC/MINUTE
 INSULATION RESISTANCE: 5000M OHM MIN
 TEMPERATURE RANGE: -40C TO 105C
 CONTACT RESISTANCE: 20M OHM MAX

MATERIAL

CONTACT: PHOSPHOR BRONZE GOLD PLATED
 BASE: PBT UL94V-0

PCB SOCKET PITCH=2.0MM SINGLE ROW

DRAWN BY	DESIGNED BY	UNIT	SCALE	TOLERANCE
		mm		+/- 0.2MM
CHECKED BY	APPROVED BY	DATE	VER NO.	
		25 MAR 04		
OWL ELECTRONICS LIMITED				PART NO.
				PS 1700S- PS 1700R-