

DIMENSION : $\frac{\text{inch}}{\text{mm}}$

MATERIAL

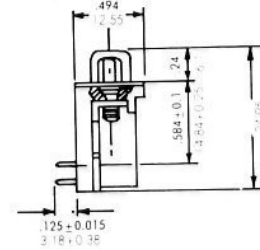
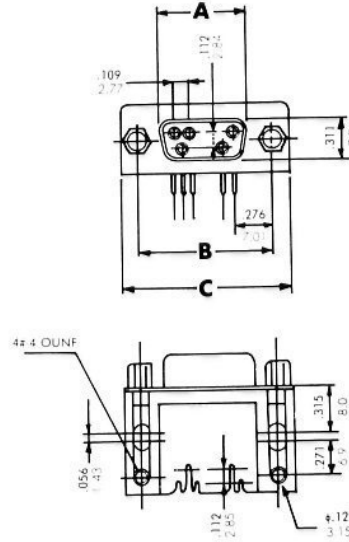
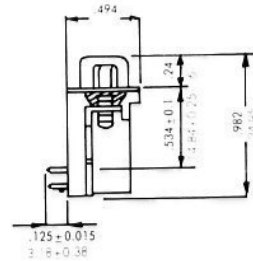
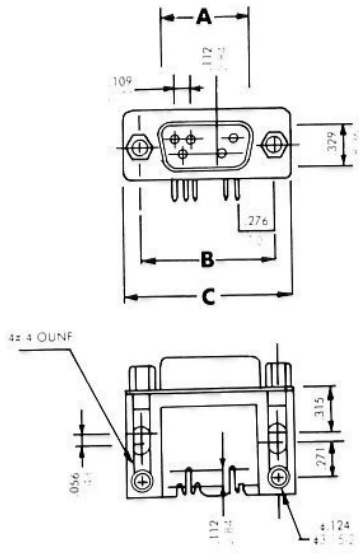
Insulator: PBT+30% Glass Fiber (UL94V-0)
 Contact: Phosphor Bronze or Brass
 Contact Plated: Gold Over Nickel Or Tin
 Shell: Steel
 Zinc Plated or Tin Plated

SPECIFICATION

Current Rate: 5 amp.
 Dielectric Strength: 1000V for one minute
 Insulator Resistance: 1000 MΩ Min. at 500V DC
 Temperature: -55°C — +105°C

MALE

FEMALE



DIMENSION	A	B	C
DB 1388M-9	.666 16.92	.984 24.99	1.213 30.81
DB 1388M-15	.994 25.25	1.312 33.32	1.541 39.14
DB 1388M-25	1.534 38.96	1.852 47.04	2.088 53.04

DIMENSION	A	B	C
DB 1388F-9	.643 16.33	.984 24.99	1.213 30.81
DB 1388F-15	.971 24.66	1.312 33.32	1.541 39.14
DB 1388F-25	1.511 38.38	1.852 47.04	2.088 53.04

D-SUB PCB TYPE RIGHT ANGLE 15MM

DRAWN BY	DESIGNED BY	UNIT	SCALE	TOLERANCE
		mm		±0.25
CHECKED BY	APPROVED BY	DATE	VER. NO.	
		06-20-01	A	
OWL ELECTRONICS LIMITED				PART NO.
				DB 1388