

DIAMENSION:  $\frac{\text{mm}}{\text{inch}}$

## D-SUB HIGH DENSITY RIGHT ANGLE TYPE

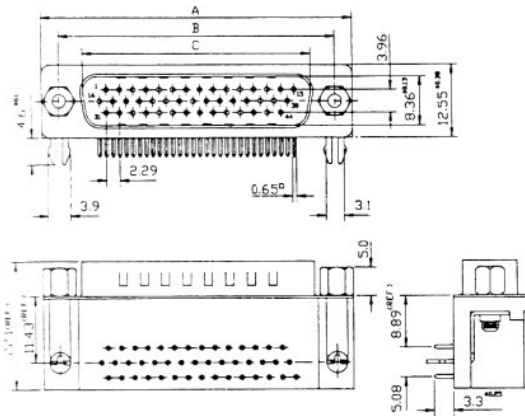
### MATERIAL

Insulator: PBT + 30% Glass Fiber (UL 94V-0)  
 Contact: Phosphor Bronze or Brass  
 Contact Plated: Gold Over Nickel  
 Shell: Steel, Zinc Plated or Tin Plated

### SPECIFICATION

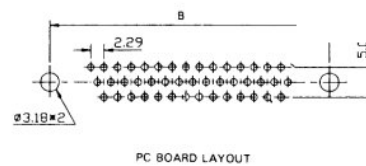
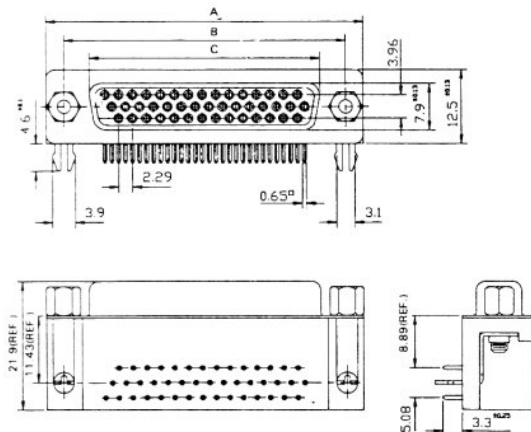
Contact current Rating: 5 Amp  
 Dielectric Withstanding Voltage: 1000V for one minute  
 Insulation Resistance: 1000M $\Omega$  Min. at 500V DC  
 Operating temperature: -55°C to +105°C  
 Impedance (ohm): 16M $\Omega$  for 25MHz;  
 32M $\Omega$  for 100MHz

### MALE



No. of Contacts	Size	A $\pm 0.38$	B $\pm 0.13$	C $\pm 0.13$
DB 1633M-15	15	30.81	24.99	16.92
DB 1633M-26	26	39.14	33.32	25.25

### FEMALE



No. of Contacts	Size	A $\pm 0.38$	B $\pm 0.13$	C $\pm 0.13$
DB 1633F-15	15	30.81	24.99	16.92
DB 1633F-26	26	39.14	33.32	25.25

DRAWN BY	DESIGNED BY	UNIT	SCALE	TOLERANCE
		mm		$\pm 0.25$
CHECKED BY	APPROVED BY	DATE	VER. NO.	
		06-20-01	A	
OWL ELECTRONICS LIMITED				PART NO.
				DB 1633